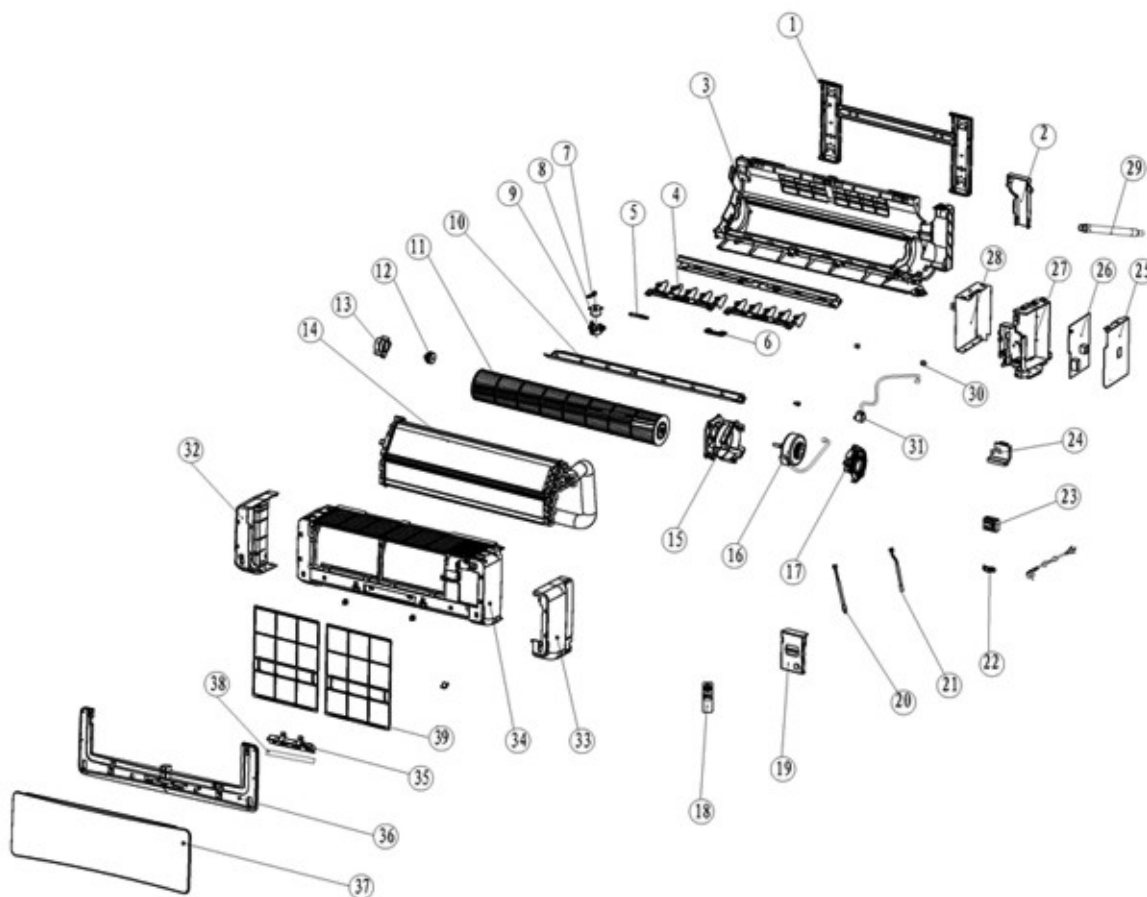


Típus +AST-  
12UW4RVETE00J00/00/00(GR  
Modell PANDORA35IN TE  
Art. Szám 733862

Márkanév GORENJE  
Verzió 06.05.2019  
Szerviz index 01

## 733862-01



Pozíció	Azonosítás	Alkatrész leírás	Mennyiség	Érvényesség	Extra ID
01	<a href="#">HK1465589</a>	MOUNTING PLATE	1		
02	<a href="#">HK1984201</a>	CLAMP BOARD	1		
03	<a href="#">HK1802219</a>	BASE HOLDER PLATE	1		
04	<a href="#">HK1555378</a>	VERTICAL LOUVER	2		
05	<a href="#">HK1555381</a>	CONNECTING PART	1		
06	<a href="#">HK1555385</a>	CONNECTING PART	1		
07	<a href="#">HK1555387</a>	MOTOR SHAFT	1		
08	<a href="#">HK1260259</a>	STEP MOTOR 12V DC	1		

Pozíció	Azonosítás	Alkatrész leírás	Mennyiség	Érvényesség	Extra ID
09	<a href="#">HK1465756</a>	MOTOR HOLDER	1		
10	<a href="#">HK1555374</a>	HORIZONTAL LOUVER	1		
11	<a href="#">HK1466014</a>	CROSS FAN BLADE	1		
12	<a href="#">HK1223739</a>	BEARING	1		
13	<a href="#">HK1465670</a>	BEARING HOLDER	1		
14	<a href="#">HK1561782</a>	EVAPORATOR	1		
15	<a href="#">HK1555386</a>	MOTOR HOLDER	1		
16	<a href="#">HK1466082</a>	FAN MOTOR DG13G1-16 220V AC 15W	1		
17	<a href="#">HK1465757</a>	FAN MOTOR COVER	1		
18	<a href="#">HK4112820</a>	REMOTE CONTROLLER	1		
19	<a href="#">HK1465759</a>	ELECTRIC BOX COVER	1		
20	<a href="#">HK1387643</a>	ROOM TEMEPERATURE SENSOR	1		
21	<a href="#">HK1471151</a>	PIPE TEMPERATURE SENSOR	1		
22	<a href="#">HK1456755</a>	CLAMP	1		
23	<a href="#">HK1561173</a>	WIRE TERMINAL BOARD	1		
24	<a href="#">HK1465763</a>	ELECTRIC TERMINAL COVER	1		
25	<a href="#">HK1465761</a>	ELECTRIC BOX PLATE	1		
26	<a href="#">HK1895843</a>	MAIN CONTROL BOARD INDOOR UNIT	1		
27	<a href="#">HK1465758</a>	ELECTRIC BOX	1		
28	<a href="#">HK1465762</a>	ELECTRIC BOX PLATE	1		
29	<a href="#">HK1470426</a>	CONDENSATE DRAIN HOSE	1		
30	<a href="#">HK1222824</a>	AXIS BUSH	2		
31	<a href="#">HK1468408</a>	STEP MOTOR 12V DC	1		
32	<a href="#">HK1555390</a>	SIDE LEFT PANEL	1		
33	<a href="#">HK1555391</a>	SIDE RIGHT PANEL	1		
34	<a href="#">HK1555389</a>	HOUSING	1		
35	<a href="#">HK1844148</a>	DISPLAY	1		
36	<a href="#">HK1804900</a>	DECORATIVE PLATE	1		
37	<a href="#">HK4112817</a>	FRONT PANEL	1		
38	<a href="#">HK1805248</a>	DISPLAY FOIL	1		
39	<a href="#">HK1506312</a>	AIR NET FILTER	2		