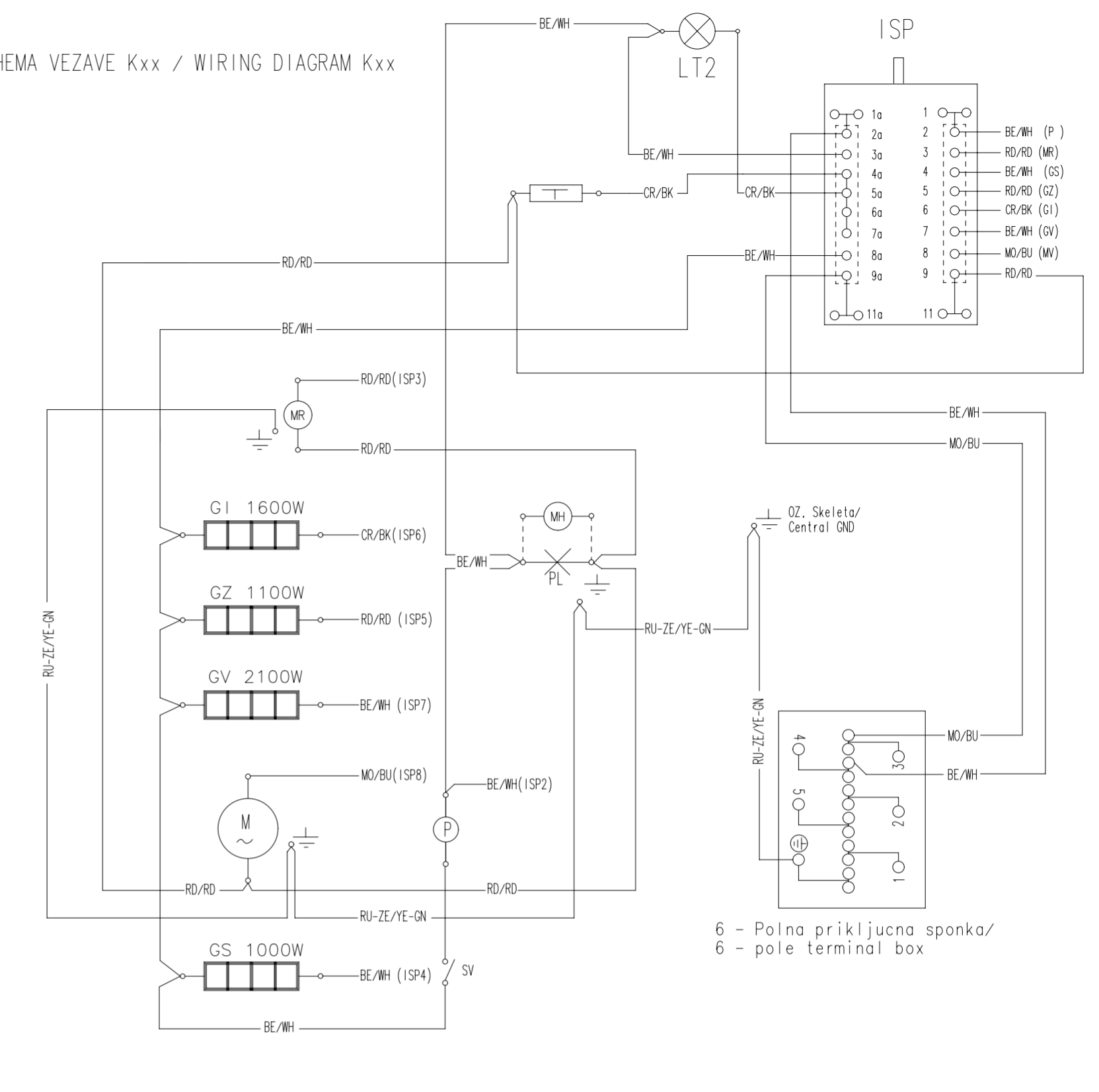
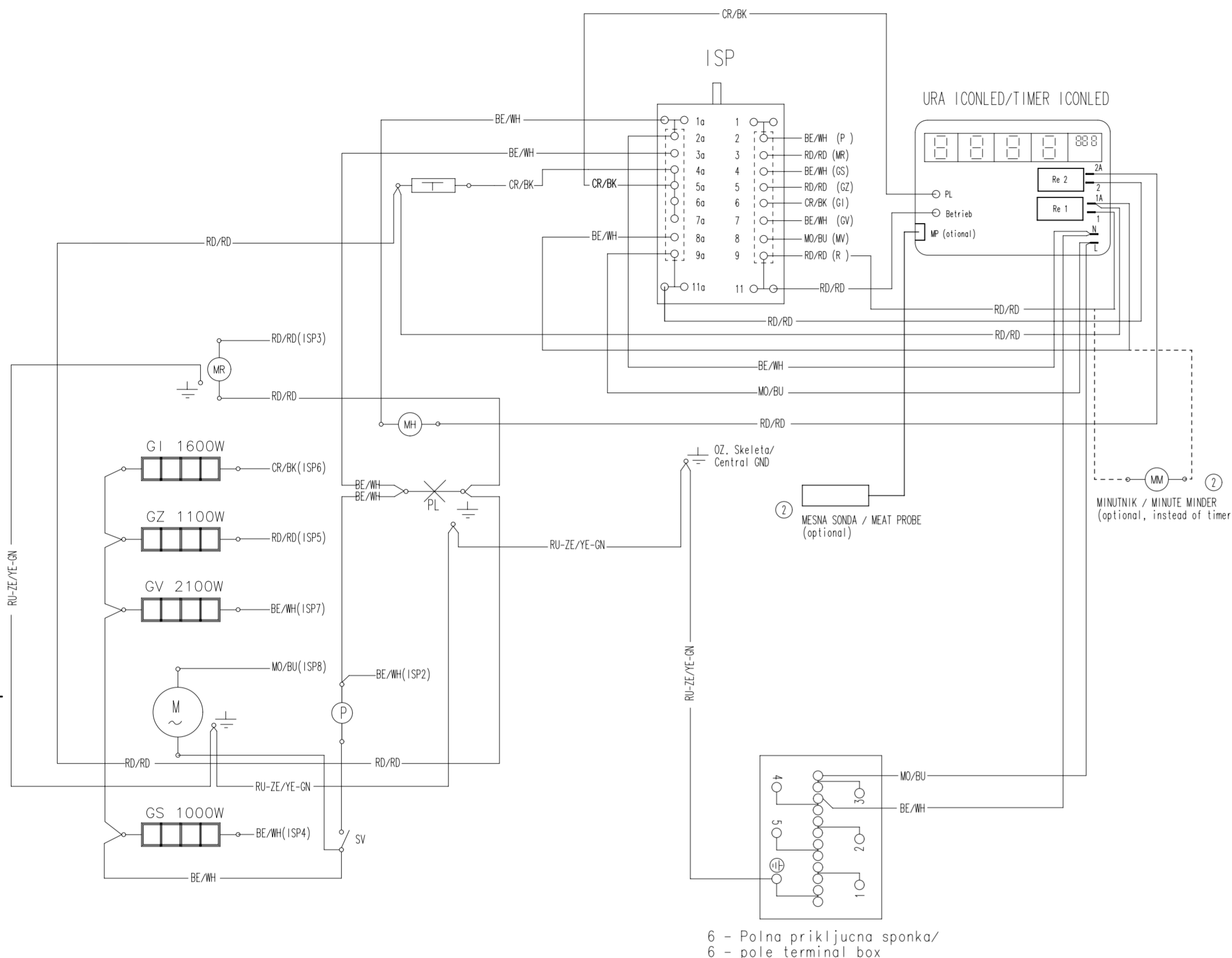


HEMA VEZAVE Kxx - URA / WIRING DIAGRAM Kxx TIMER

HEMA VEZAVE Kxx / WIRING DIAGRAM Kxx



CAD/CAE Center
Format: A2

This drawing is the property of GORENJE and the property of the company which the Gorenje Group respectively has entrusted the design, development, production, marketing, sales, service, repair, maintenance, and other activities of the Gorenje Group. It is not to be reproduced, copied, or disseminated in any form or by any means without the written consent of the Proprietor. The Proprietor is not responsible for any damage caused without limitation.

Priloga risba je last družbe GORENJE in last podjetja, ki jo ima v lasti Gorenje Group oziroma podjetje, ki mu je Gorenje Group poverila izdelavo, razvoj, proizvodnjo, prodajo, servisiranje, vzdrževanje in druge dejavnosti. Risba ni sme biti kopirana, razširjena ali drugače razkrita brez pisnega soglasja lastnika. Lastnik ni odgovoren za škodo, nastalo brez omejevanja.

Oznake uporabljenih materialov / Marks of used materials	
OZNAKA/MARK	OPIS / DESCRIPTION
ISP	IZBIRNO STIKALO PECICE/OVEN SELECTOR SWITCH
LT2	SIGNALNA LUCKA (RDECA)/INDICATOR (RED)
GZ	GRELEC ZGORNJI/UPPER HEATER
GS	GRELEC SPODNJI/LOWER HEATER
GI	GRELEC INFRA/INFRA HEATER
GV	GRELEC VENTILATORSKI/FAN HEATER
T	KAPILARNI TERMOSTAT/CAPILLARY THERMOSTAT
P	TERMOSTAT ZASCITNI/CUT-OUT THERMOSTAT
PL	PECNISKA LUCKA/OVEN LAMP
MV	MOTOR VENTILATORJA/OVEN FAN MOTOR
MR	MOTOR RAZNJA/TURNSPIT MOTOR
MH	MOTOR HLADILNI/FAN MOTOR
URA	URA PROGRAMSKA/TIMER
SV	STIKALO VRAT/DOOR SWITCH
---	KONEKTOR/CONNECTOR
MM	MINUTNIK/MINUTE MINDER

6 - Polna priključna sponka / 6 - pole terminal box

3 - Polna priključna sponka / 3 - pole terminal box

6 - Polna priključna sponka / 6 - pole terminal box

Stopnja zaupnosti/Degree of Confidentiality: ZAUPNO / CONFIDENTIAL				
Izdelal/Created by: Danijel Hribersek	Pregledal/Reviewed by: Peter Borovnik	Tehnolog 1/Technologist 1: Robert Sterkus	Tehnolog KK/Technologist QA: Amalija Klančnik	Ident. številka in tehnični podatki: Item ID and technical data: GLEJ XLS TABELO/SEE XLS TABLE
Spremenil/Changed by: Dalibor Petrinjak	Odobrili/Approved by: Primož Mikic	Tehnolog 2/Technologist 2:		Datum izdaje/Date of issue: 201709/01
Klasifikacija risbe: KA-Vezalna shema	Document type: HD-Wiring diagram	Tolerance prostih mer/General Tolerances:	Merilo/Scale: 1/1	Imena/Replaces:
Naziv: HEMA VEZAVE Kxx-NG3 FL		Oznaka risbe/Drawing ID: 16-10040514		Verzija/Version: 02
Gorenje group Gorenje, d.d.		Title: WIRING DIAGRAM Kxx-NG3 FL		